

Designer: Artefakt



Washbasin mixer
please refer to page 505

Bidet mixer
please refer to page 507

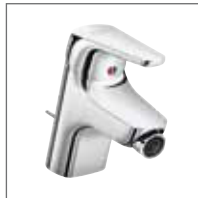
Bath Shower mixer |
Shower faucets
please refer to page 508

Concealed units
please refer to page 509

Please refer to page XXX
for spare parts list

Meet the „new“ updated Cerasprint New. Cerasprint’s neutral, geometric form not only means it complements any bathroom, it adds a quality element that won’t be outdated. Its slim, sloping shape and confident height creates a strong, dynamic personality that gives your space cohesion, now and well into the future.

Bathroom
Fittings



Finishes
AA Chrome

Designer: Artefakt



Description

Cerasprint basin mixer with 40 mm Click cartridge, flow rate and hot water limiter, flexible hoses PEX G3/8", Easy-fix, cascade aerator M24x1, centering & sealing ring and metal pop-up waste, chrome

Cerasprint basin mixer with high tubular spout with 47 mm Click cartridge, flexible hoses PEX G3/8", Easy-fix, spout with integrated aerator M16,5x1, cache aerator, without pop-up waste, chrome

Alternative product

You can obtain a **maximum 5lt/min** flowrate with one extra component. Specifically:

Cerasprint basin mixer **with a maximum 5lt/min flowrate**, 40 mm Click cartridge, flow rate and hot water limiter, flexible hoses PEX G3/8, Easy-fix, cascade aerator M24x1, centering & sealing ring and metal pop-up waste, chrome. **Necessary codes to order: B9560AA (basin mixer) and B960852AA (regulator).**

Cerasprint basin mixer high tubular spout **with a maximum 5lt/min flowrate**, 47 mm Click cartridge, flexible hoses PEX G3/8, Easy-fix, spout with integrated aerator M16,5x1, cache aerator, without pop-up waste, chrome. **Necessary codes to order: B9564AA (basin mixer) and A960197NU (regulator).**

Necessary equipment

With B9564AA you can order the following wastes:

"Click-clack" waste, slotted, chrome

Swivelling waste, unslotted, chrome

Recommended equipment

Cascade aerator/regulator (M24x1) that provides a maximum 5lt/min flowrate.

Aerator/regulator that provides a maximum 5lt/min flowrate.

Product

Article-No.

Basin mixer	B9560AA
Basin mixer with high tubular spout	B9564AA

Necessary equipment

Click-clack waste, slotted	S8803AA
Swivelling waste, unslotted	S8734AA

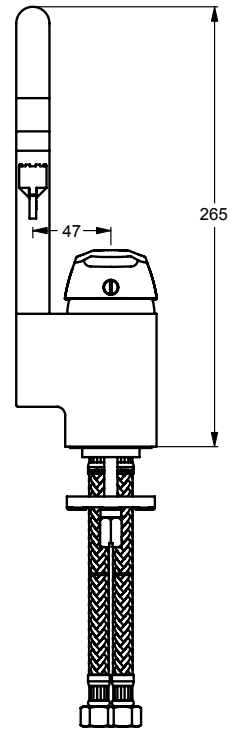
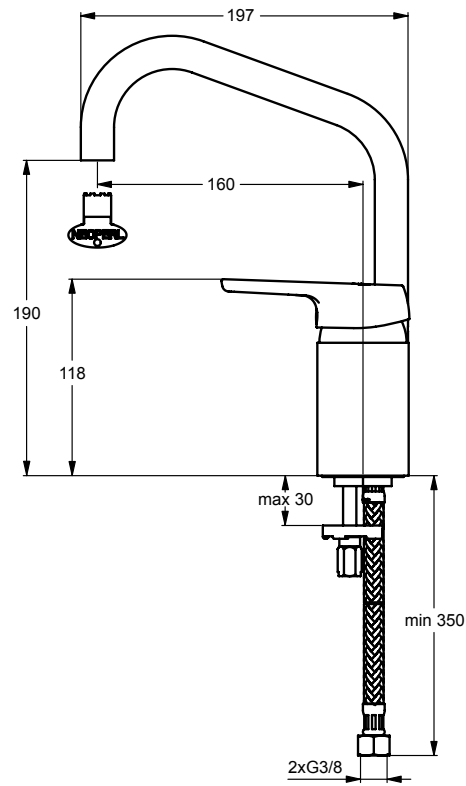
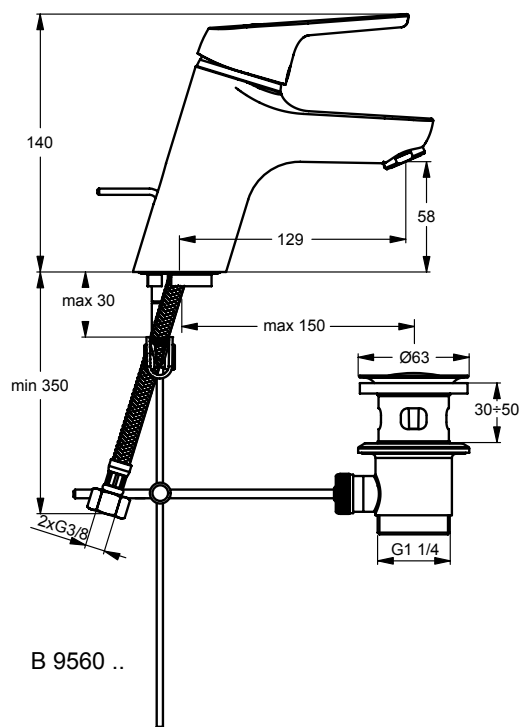
Recommended equipment

Regulator 5lt/min	B960852AA
Regulator 5lt/min	A960197NU

Finishes

AA Chrome

NU Neutral



Designer: Artefakt



Description

Cerasprint bidet mixer with 40 cm Click cartridge, flow rate and hot water limiter, flexible hoses PEX G3/8", Top-fix, ball-joint M24x1 & cascade aerator M24x1, centering & sealing ring and metal pop-up waste, chrome

Alternative product

You can obtain a **maximum 5lt/min** flowrate with one extra component. Specifically:

Cerasprint bidet mixer **with a maximum 5lt/min flowrate**, 40 cm Click cartridge, flow rate and hot water limiter, flexible hoses PEX G3/8, Top-fix, ball-joint M24x1 & cascade aerator M24x1, centering & sealing ring and metal pop-up waste, chrome. **Necessary codes to order: B9565AA (bidet mixer) and B960852AA (regulator).**

Recommended equipment

Cascade aerator/regulator (M24x1) that provides a maximum 5lt/min flowrate.

Product

Article-No.

Bidet mixer

B9565AA

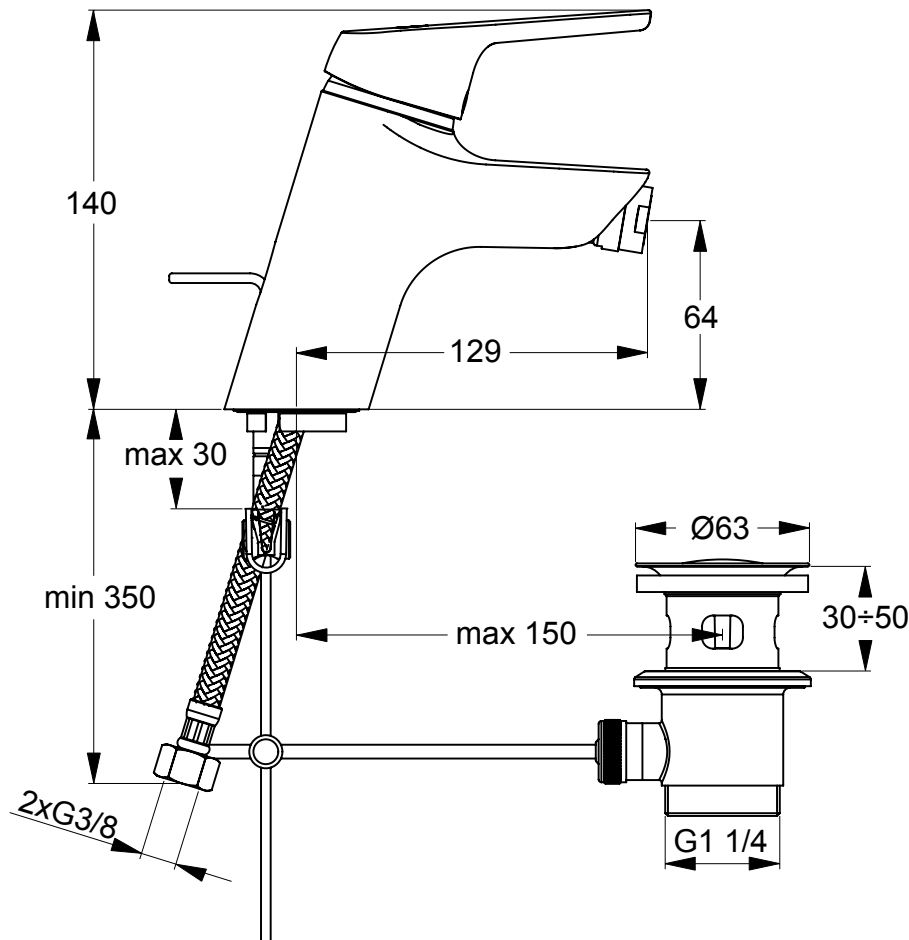
Recommended equipment

Regulator 5lt/min

B960852AA

Finishes

AA Chrome



Designer: Artefakt



Description

Cerasprint exposed bath & shower mixer with 47cm click cartridge, automatic diverter, active diverter handle, adjustable plastic escutcheons, S-connectors, chrome

Cerasprint exposed shower mixer with 47cm click cartridge, adjustable plastic escutcheons, S-connectors, chrome

Alternative product

You can obtain a **maximum 8lt/min** flowrate with one extra component. Specifically:

Cerasprint exposed bath & shower mixer **with a maximum 8lt/min flowrate**, 47cm click cartridge, automatic diverter, active diverter handle, adjustable plastic escutcheons, S-connectors, chrome. **Necessary codes to order: B9566AA (B&S mixer) and A960453NU (regulator).**

Cerasprint exposed shower mixer **with a maximum 8lt/min flowrate**, 47cm click cartridge, adjustable plastic escutcheons, S-connectors, chrome. **Necessary codes to order: B9570AA (Shower mixer) and A960453NU (regulator).**

Recommended equipment

Check valve with integrated flow regulator that provides a maximum 8lt/min flow rate.

Product

Article-No.

Bath & Shower mixer

B9566AA

Shower mixer

B9570AA

Recommended equipment

Check valve with regulator 8lt/min for B&S and Shower mixer

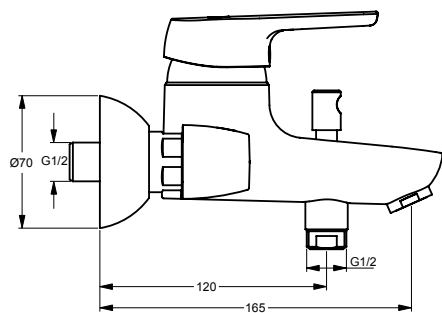
A960453NU

Finishes

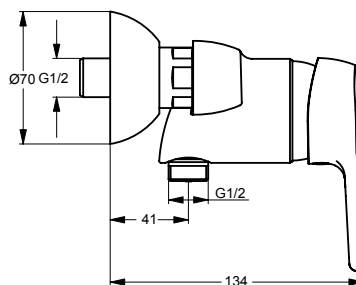
AA Chrome

NU Neutral

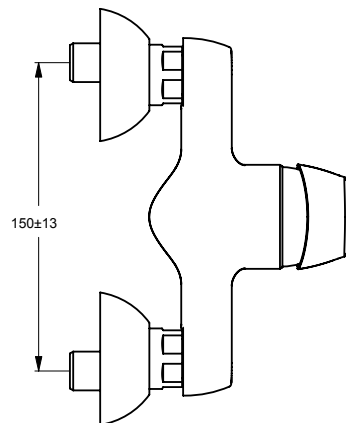
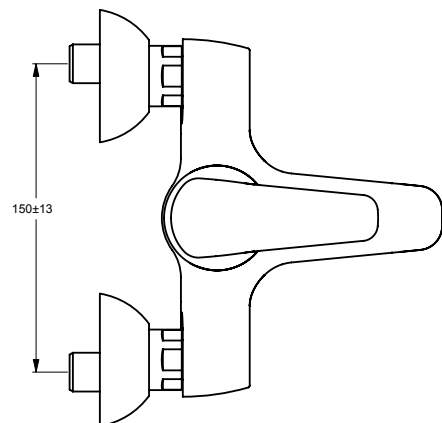
Bathroom
Fittings



B9566 ..



B9570 ..



Built in

CeraSprint

Designer: Artefakt



Description

Cerasprint bath & shower built in mixer KIT 2, with plain escutcheon, chrome, for combination with A 1000 NU KIT1

Cerasprint shower built in mixer KIT 2, with plain escutcheon, chrome, for combination with A 1000 NU KIT1

Necessary equipment

Easy Box kit 1, internal built in part for built in fittings, with pipe connections, fixation feet and fixation holes, support for accurate and reliable positioning both horizontally and vertically, grooves to facilitate trimming of the protruding parts of the box and flushing device

Product

Article-No.

Bath & Shower built in mixer

A5723AA

Shower built in mixer

A5724AA

Necessary equipment

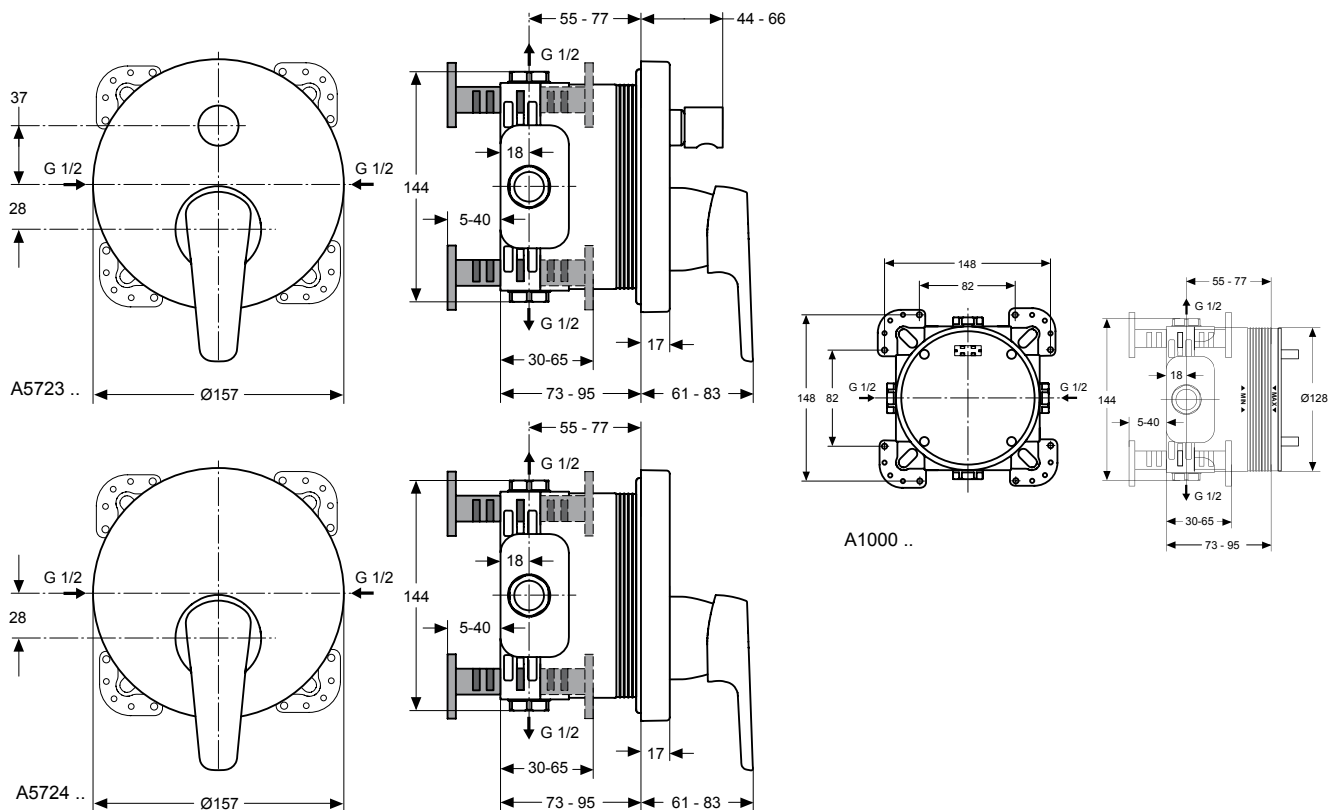
Kit 1 Easy-Box

A1000NU

Finishes

AA Chrome

NU Neutral



Built in

CeraSprint

Designer: Artefakt



Description

Cerasprint bath & shower built in mixer KIT 2, with plain escutcheon, chrome. A 2650 NU KIT1 is already included in this product.

Cerasprint shower built in mixer KIT 2, with plain escutcheon, chrome. A 2650 NU KIT1 is already included in this product.

Product

Article-No.

Bath & Shower built in mixer

B9573AA

Shower built in mixer

A5725AA

Finishes

AA Chrome

NU Neutral

Bathroom
Fittings

