



Description

Dea vessel 52 cm, no tap hole, no overflow.

Dea basin 62 cm with tap hole, no overflow.

Ceramic Products

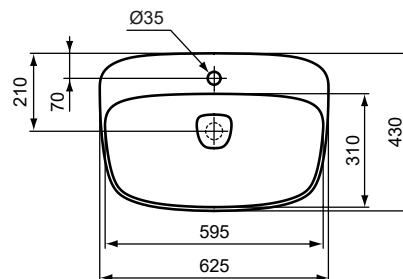
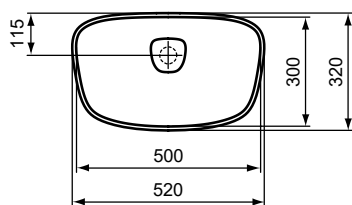
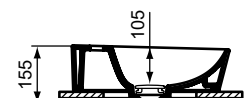
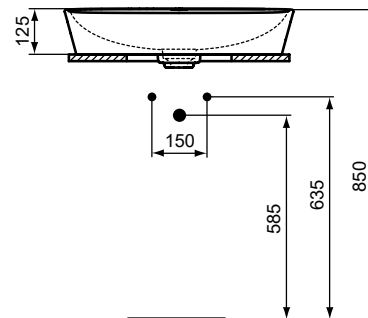
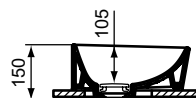
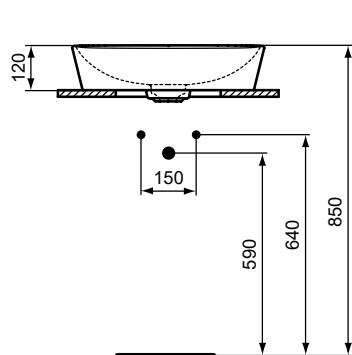
Product

Article-No.

Vessel 52 cm, no taphole, no overflow	T044301
Basin 62 cm with taphole, no overflow	T044501

Finishes

01 White



T 0443 ..

T 0445 ..